

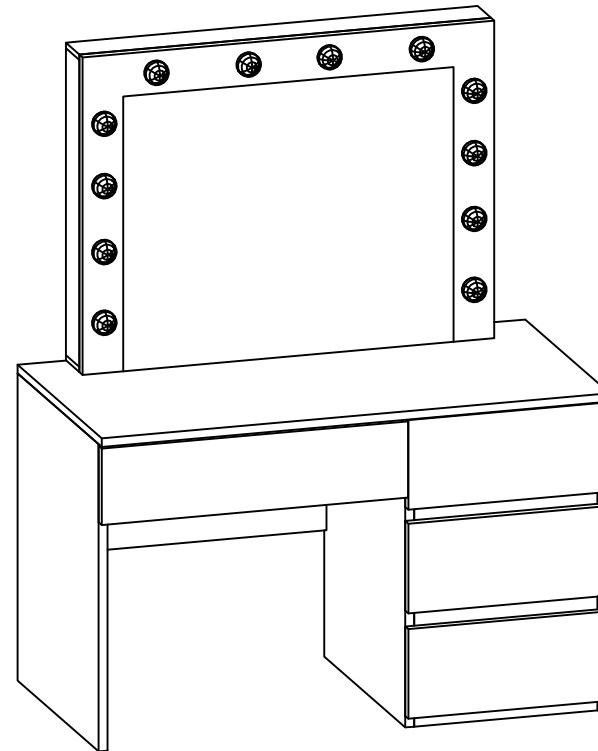
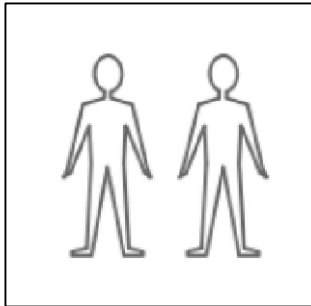
# Assemble Instructions

## Congratulations!

You have just bought a new Make Up Table. Follow these few advices for an optimal use:

- Kindly follow the mounting steps suggested in this manual for easy assembling
- Please read carefully and keep this document for further use.
- For cleaning, we recommend you to use a damp cloth or chamois with a suitable product cleaner.
- Do not use any abrasive or powder based cleaning products as it may damage the surface of your Make Up Table.

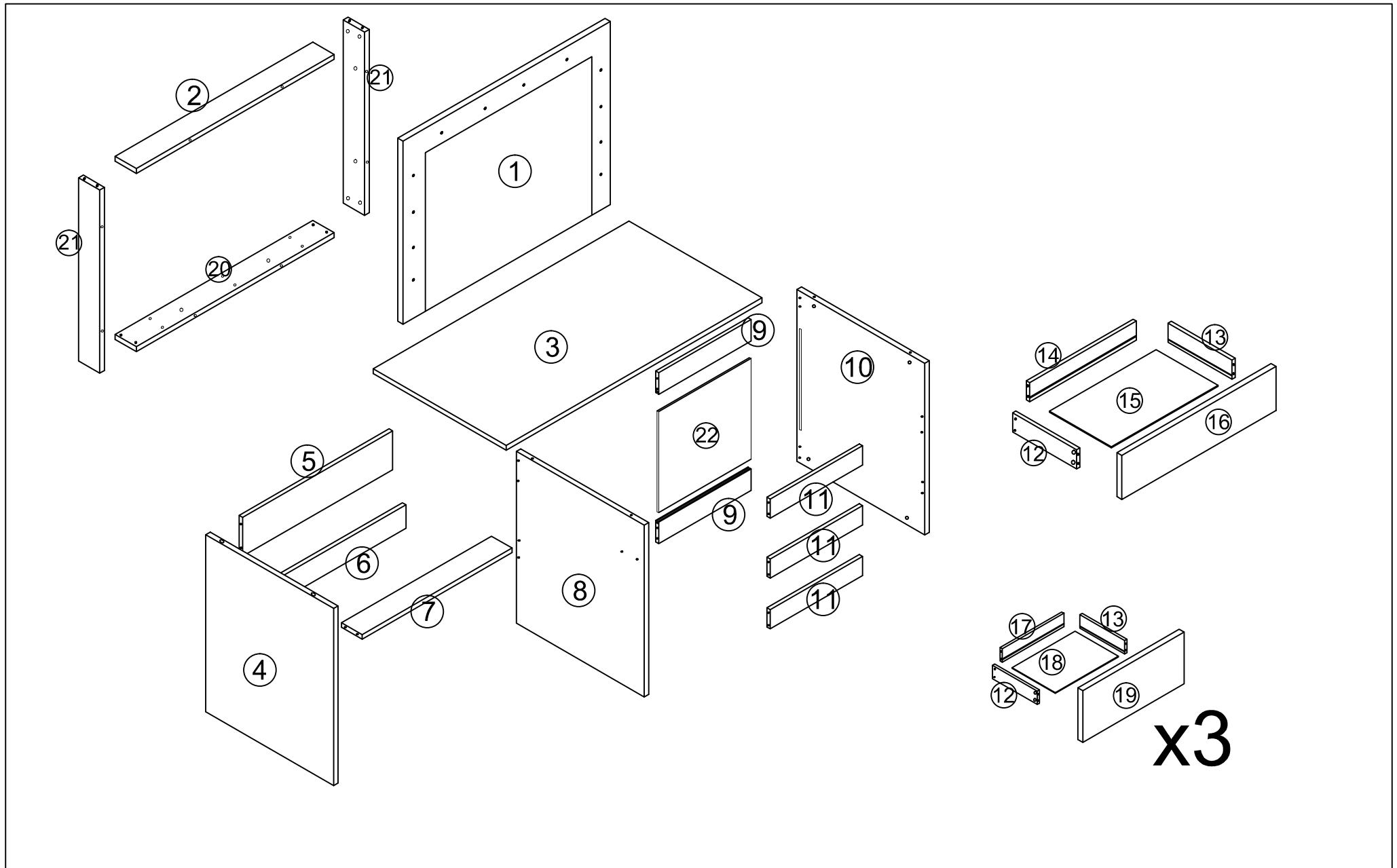
**Assembly Time around 90 minutes.**



# Assemble Instructions

Composition:

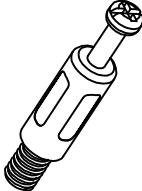


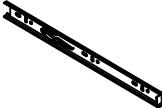

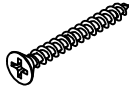
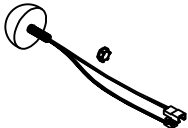
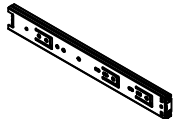
Spare Parts



# Assemble Instructions

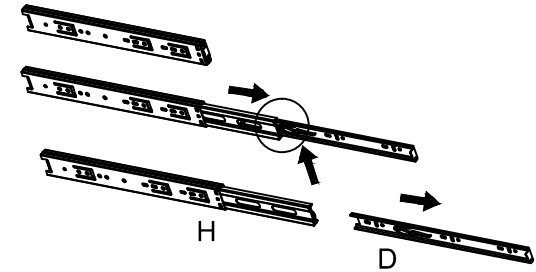
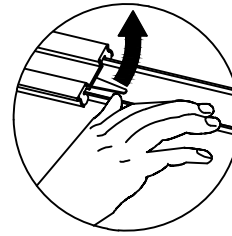
**Composition:**

**Hardware**

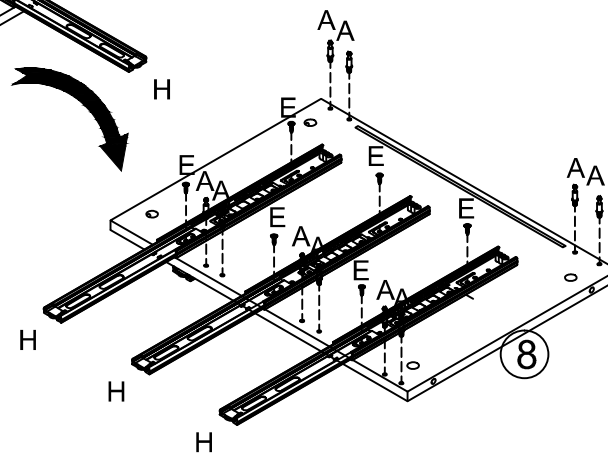
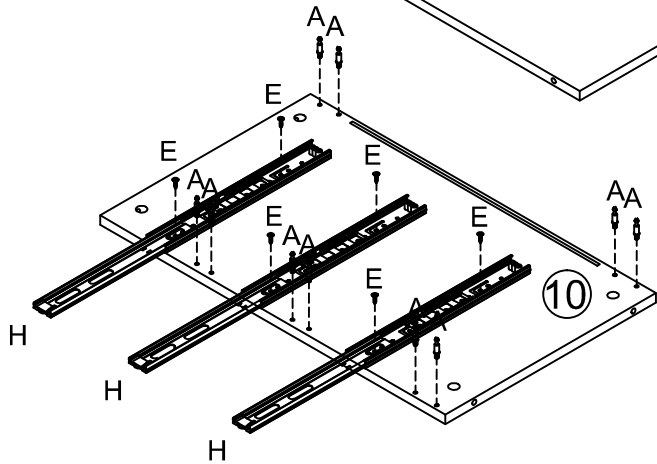
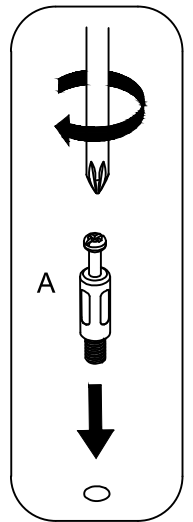
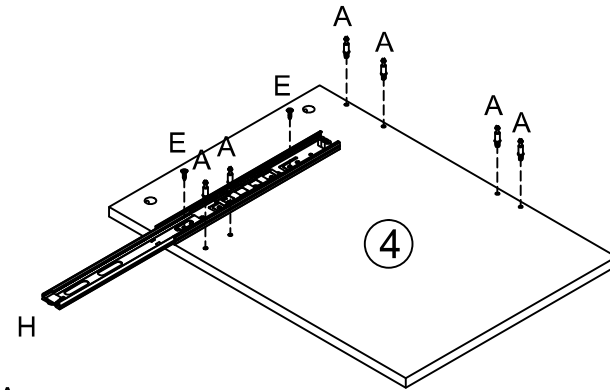
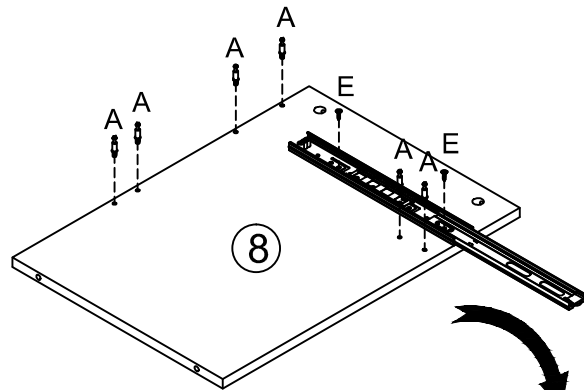
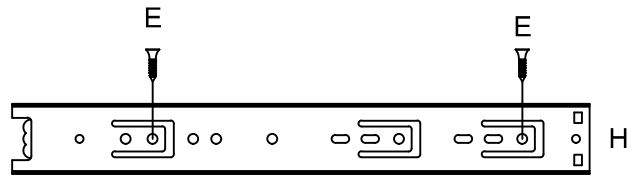
									
A	x 70	B	x 70	C	x 6	D	x 8	E	x 32
									
F	x 16	G	x 12	H	x 8				

# Assemble Instructions

## Assemblage – Assembly Diagram



**1**

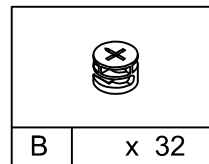
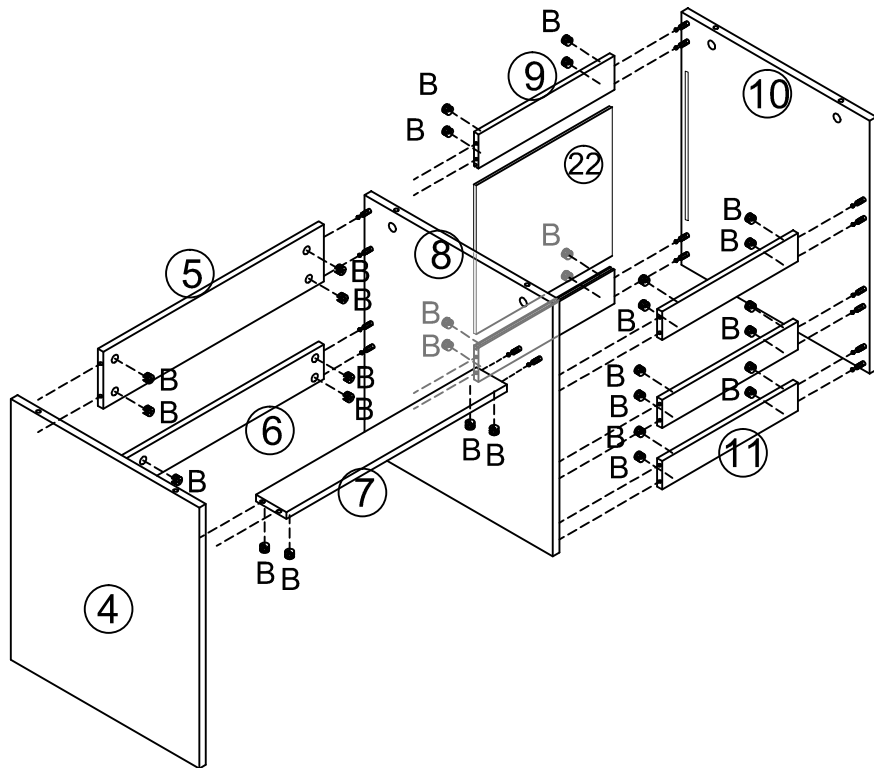


		x 32	
		x 16	
		x 8	

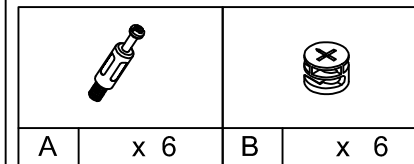
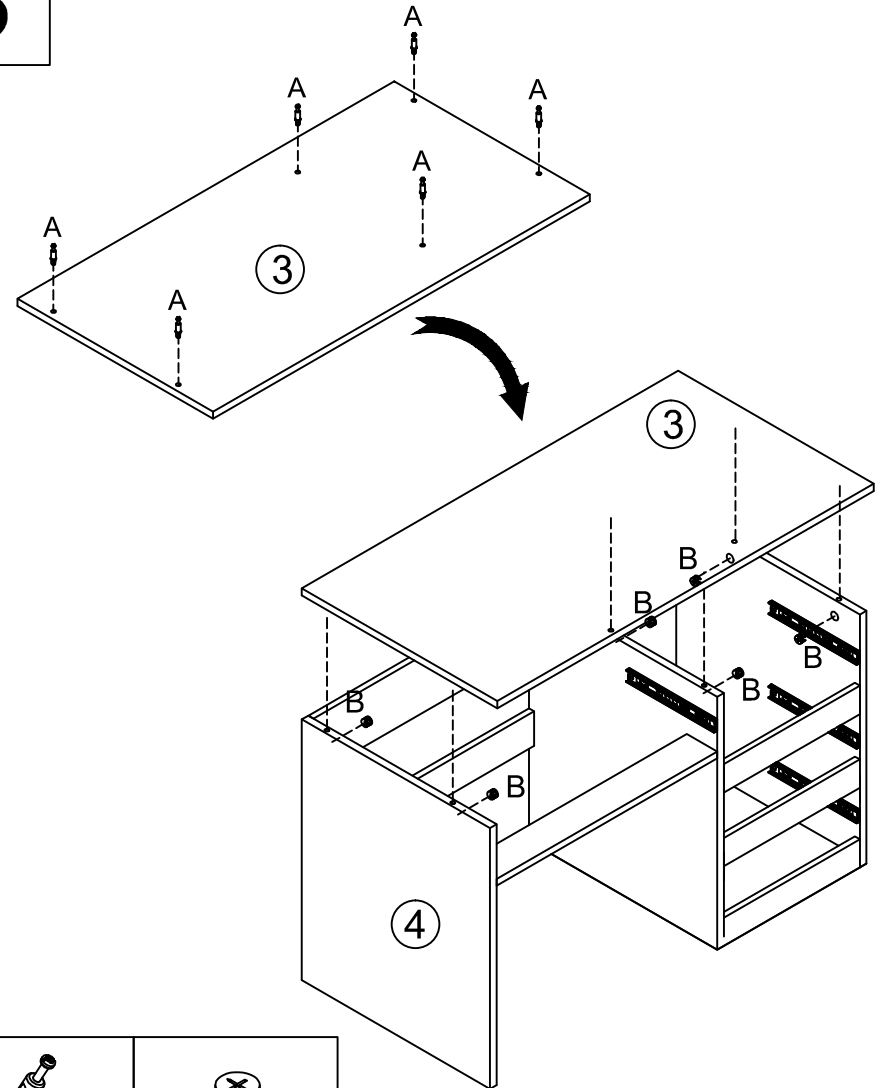
# Assemble Instructions

## Assemblage – Assembly Diagram

2



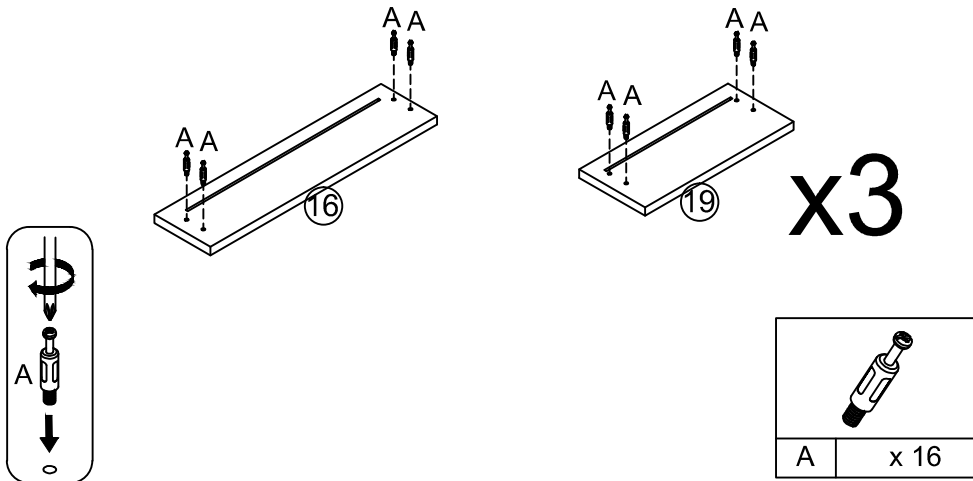
3



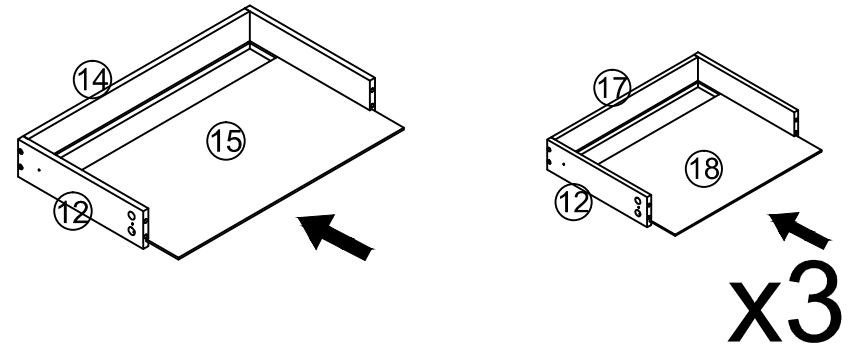
# Assemble Instructions

## Assemblage – Assembly Diagram

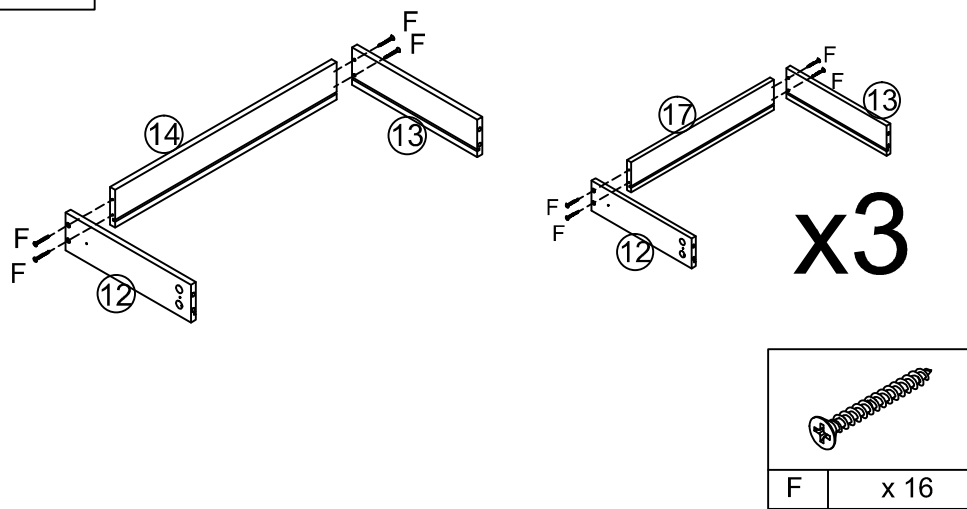
4



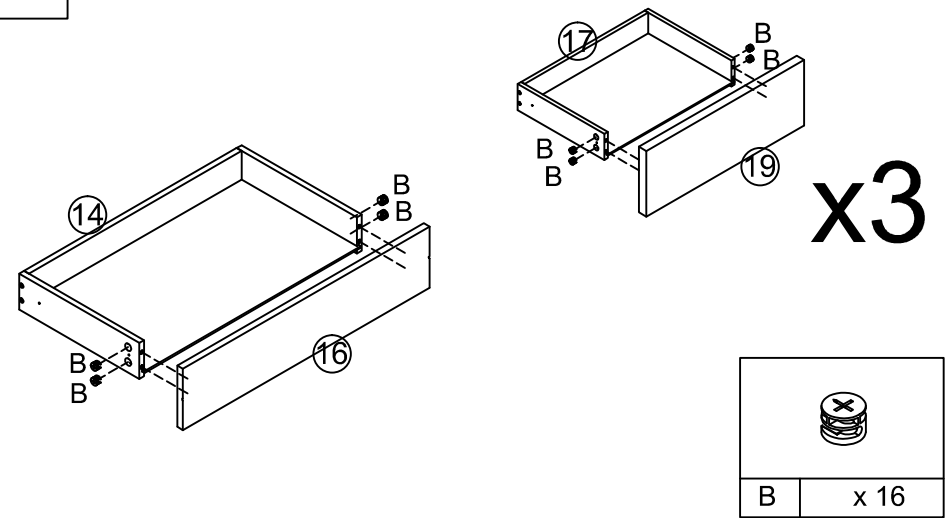
6



5



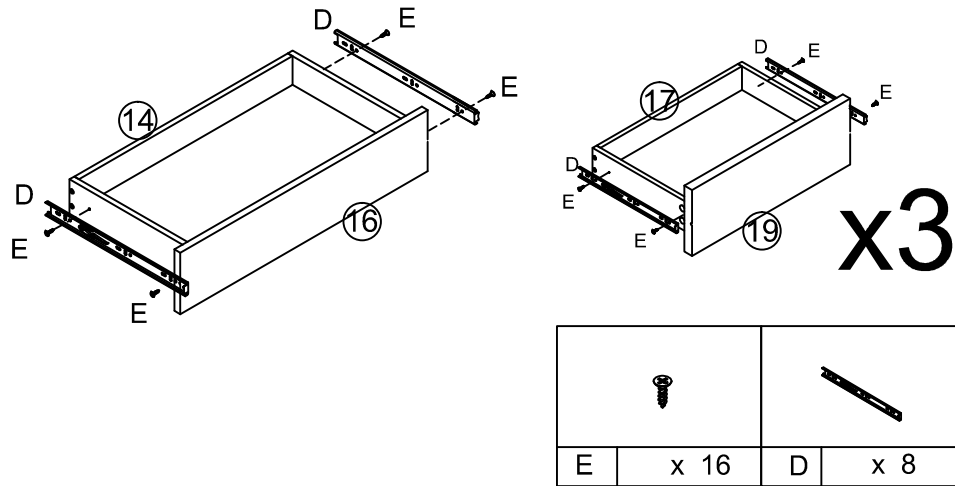
7



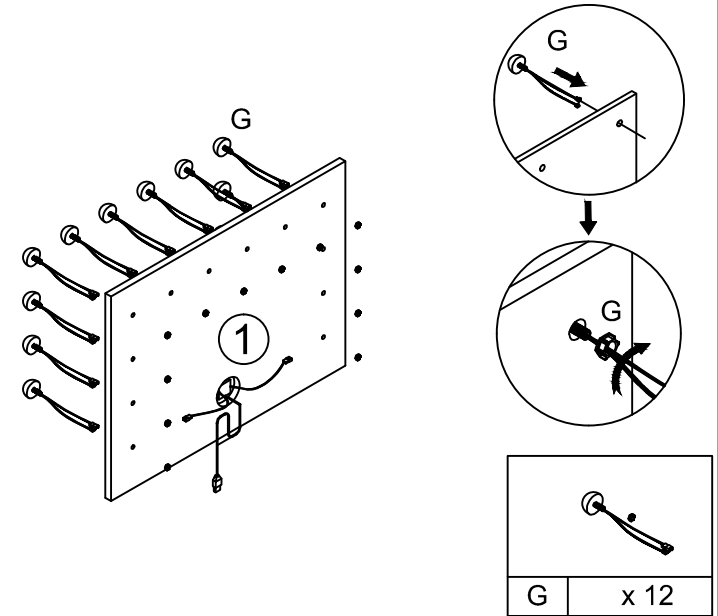
# Assemble Instructions

## Assemblage – Assembly Diagram

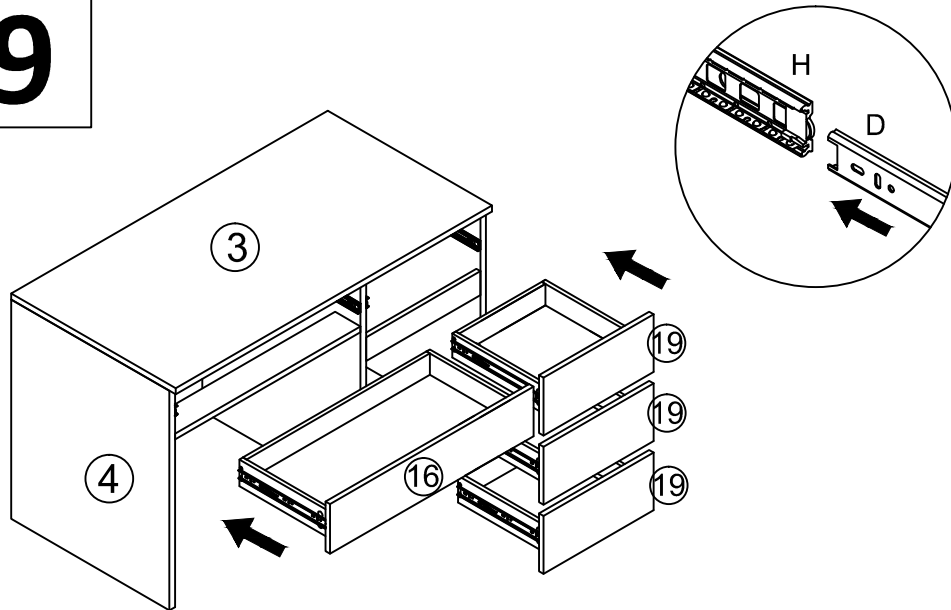
8



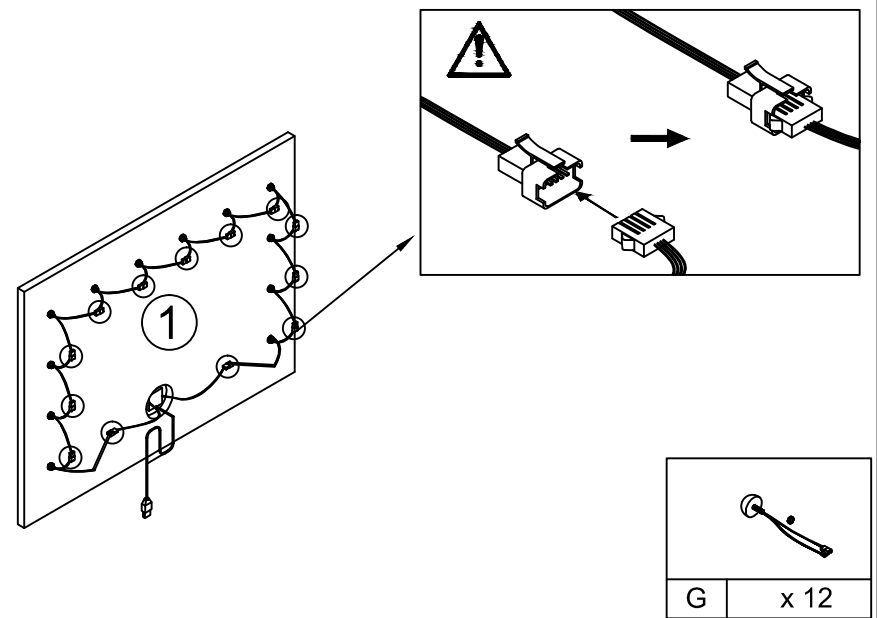
10



9



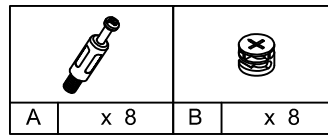
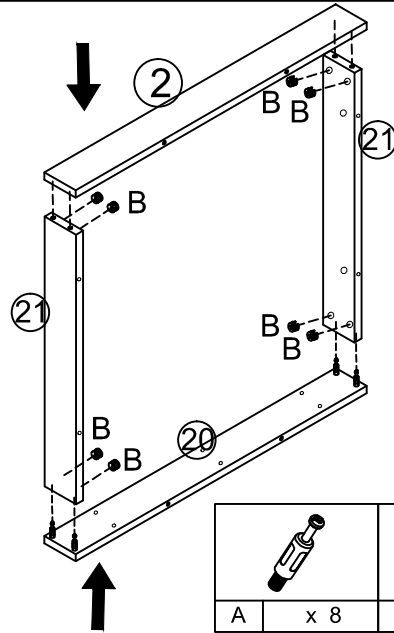
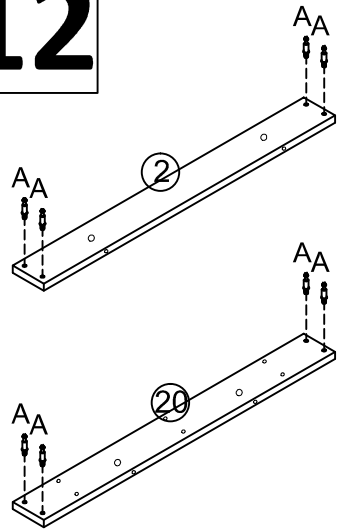
11



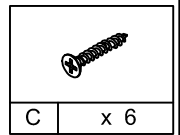
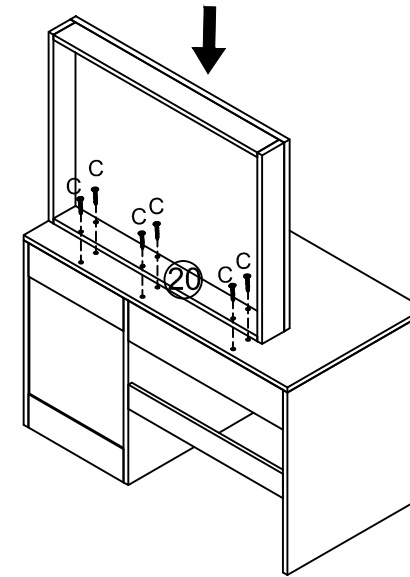
# Assemble Instructions

## Assemblage – Assembly Diagram

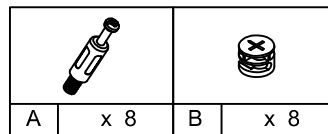
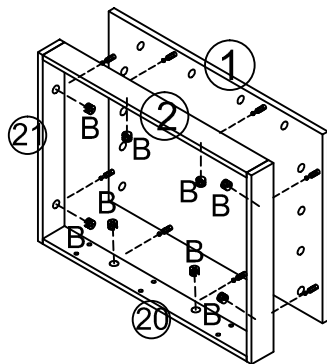
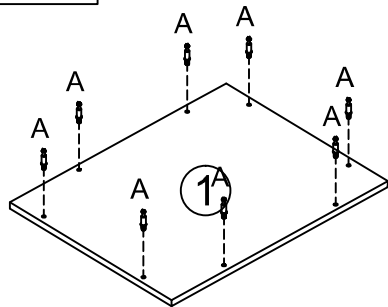
**12**



**14**



**13**



**Finish**

